

# LINK LIGHT

OFFERS A ROBUST LIGHTING SOLUTION FOR INTERNAL AND EXTERNAL LIGHTING APPLICATIONS.

## SPECIFICATIONS 2016



# LEADSUN

"Bright Ideas For An Even Brighter Future"

MELBOURNE  
SYDNEY  
BRISBANE  
ADELAIDE  
PERTH

Email: [Sales@leadsun.com.au](mailto:Sales@leadsun.com.au)

Tel: 1300 281 005

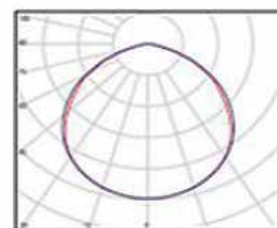
Web: [www.leadsun.com.au](http://www.leadsun.com.au)



# AE2 (Link Light) Specifications

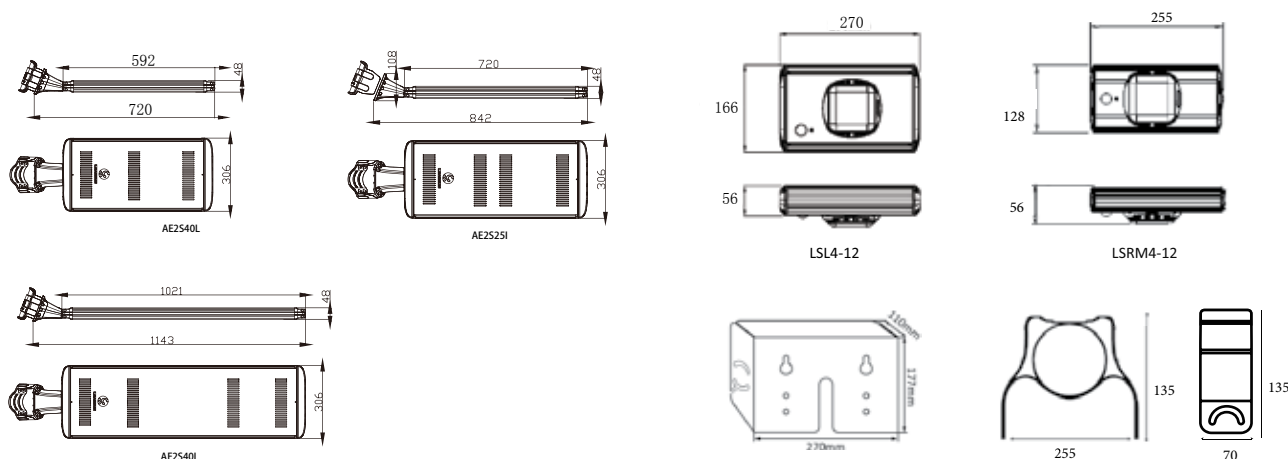
● Standard ○ Optional / N/A

Model No	Solar Power System			RHEA MINI LED light	
	AE2S12B6	AE2S25B10	AE2S36B16	LSL4-12	LSRM4-12
<b>Physical Parameters</b>					
PV Module Power	12W	25W	36W		
Lithium Battery Capacity	5.2AH	10.4AH	16.6AH		
PIR Sensor	●	●	●		
	Bluetooth	/	/		
	433MH	/	/		
	GPRS	/	/		
Net Weight of Product	6.2Kg	7.6Kg	9.5Kg		
Physical Dimensions	592(L)x306(W)x48(T)mm	720(L)x306(W)x48(T)mm	1021(L)x306(W)x48(T)mm		
<b>Light Parameters</b>					
Light Output Factory Settings	/	/	/	4W	4W
Optical Distribution	/	/	/	Symmetrical	Symmetrical
Visual Angle	/	/	/	140' X 70'	140' X 70'
Color Temperature	/	/	/	5000K	5000K
Max. Luminous Flux	/	/	/	3600lm	3600lm
Min	Bright Mode	/	/	10h	6.5h
Working Time	DIM Mode (30%)	/	/	33h	21h
Light Photosensitivity	/	/	/	30lx	30lx
<b>Environment Requirement</b>					
Charge Temperature	0°C ~ 60°C	0°C - 60°C	0°C - 60°C	/	/
Discharge Temperature	-20°C ~ 60°C	-20°C ~ 60°C	-20°C ~ 60°C	/	/
Storage Temperature	-20°C ~ 45°C	-20°C ~ 45°C	-20°C ~ 45°C	-20°C ~ 45°C	
<b>Installation Suggest</b>					
Recommended Installation Height	5~8m	5~8m	5~8m	3~6m	
Recommended Installation Distance	23~35m	23~35m	23~35m	25~35m	
Recommended Installation Light Pole	60~90mm	60~90mm	60~90mm	60~90mm	



Light Distribution

## Physical Dimensions



Lighthouse Housing Stainless Steel  
\* (Anti theft light cage available)